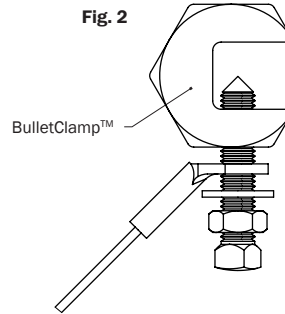
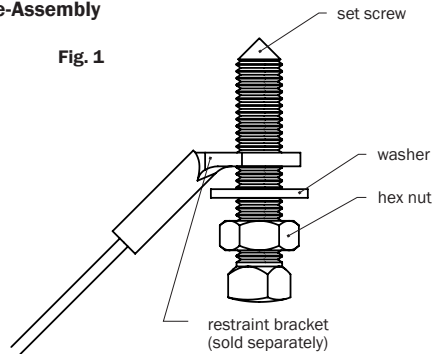


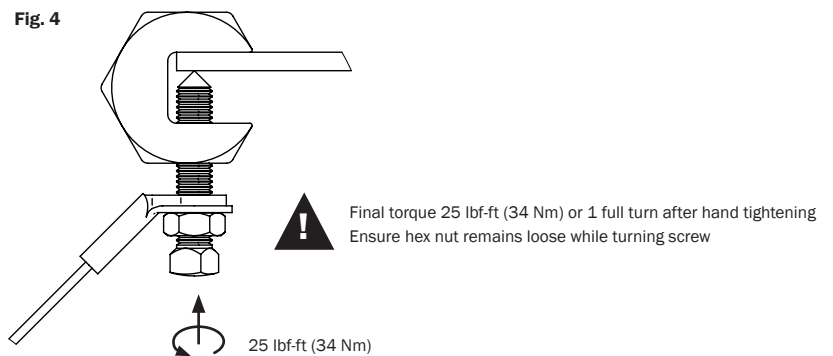
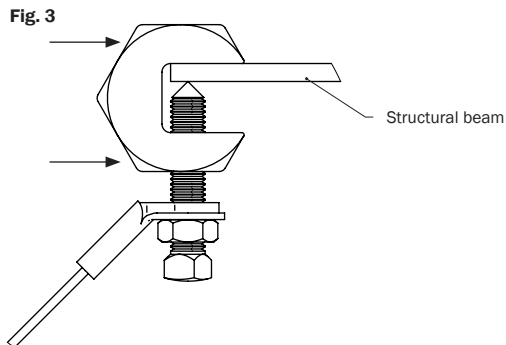
## INSTRUCTIONS

### Pre-Assembly



1. Loosely assemble the provided set screw, hex nut and washer, then add the restraint end bracket (sold separately) (Fig. 1).
2. Finish pre-assembly by loosely screwing the set screw onto the BulletClamp™ as shown (Fig. 2).

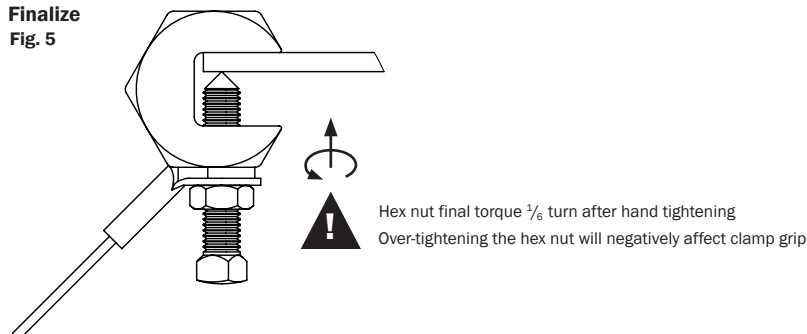
### Secure to Beam



3. Slide the BulletClamp™ onto a structural beam as shown (Fig. 3) all the way until clamp inside surface fully touches the beam flange and hand tighten the set screw against the beam (Fig. 4).
4. If a torque wrench is available, torque the screw to 25 lbf-ft. (34Nm).  
If a torque wrench is not available, hand tighten, then turn 1 full revolution using a normal wrench. Use 12 sided 15mm socket or an adjustable wrench.

### Finalize

Fig. 5



5. Hand tighten the hex nut and adjust the bracket angle.
6. Complete assembly by turning the hex nut 1/6 turn (Fig. 5)

#### Kit Contents

1 BulletClamp™  
1 set screw  
1 hex nut  
1 narrow washer

#### Tools Needed (by others)

12 sided 15mm socket  
Adjustable wrench  
Torque wrench